

***patron***<sup>®</sup>

**PA-C6520**

**PA-C6508**

**PA-C9008**

***WHEELED GAS  
COMPRESSOR***

**OPERATION MANUAL**

## **Introduction**

4 Using the Operators Manual

## **Specifications**

4 Specifications

## **Product Identification**

5 Record Identification Numbers

## **Safety**

6 Safety Instructions

7 Safety Rules

7 Hazard Symbols and Meanings

10 General Safety Information

## **Safety & Installation**

11 Spraying Precautions

11 Hose Precautions

11 Installation and Location

11 Extension Cords

## **Assembly Instructions**

12 Assembly

## **Product Features**

13 Automatic ON/OFF

13 Regulator

13 Tank Pressure Gauge

13 Safety Valve

13 Tank Drain Fitting

13 Safety Guard

**Operating Instructions**

- 14 Initial Start Up
- 14 Start Up
- 14 Storage
- 14 Shut Down

**Maintenance**

- 15 When performing any maintenance or service
- 15 Daily
- 15 Weekly
- 15 Monthly
- 15 Six Months or 250 Operating Hours
- 15 Oil Change

**Troubleshooting**

- 16 Troubleshooting Chart

**Parts**

- 17 PA-C6520/PA-C6508 Engine Parts Diagram & List
- 18 PA-C9008 Parts Diagram
- 20 PA-C6520/PA-C6508 Pump Diagram
- 22 PA-C9008 Pump Diagram

**Warranty**

- 22 Warranty Statement



**Attention: Read through the complete manual prior to the initial use of your compressor.**

### **Using the Operator's manual**

Thank you for choosing our compressor. The manual gives information with respect to operation and maintenance of the Compressor and be sure to read it carefully first before operation.

Following the manual can ensure the user's safety and get the best results from the compressor. All information and diagrams in this manual are in accordance with the newest products at the publishing time. We strive for accuracy and this manual is accurate for the models described at the time of printing. We reserve the right to make improvements or changes at any time without notice or obligation.

Please keep this manual with the engine permanently, even if the engine ownership is transferred.

**Record Identification Numbers**

**COMPRESSOR**

If you need to contact an Authorized Dealer or Customer Service line for information on servicing, always provide the product model and identification numbers.

You will need to locate the model and serial number for the machine and record the information in the places provided below.

**Date of Purchase:**

**Dealer Name:**

**Dealer Phone:**

**Product Identification Numbers**

**Model Number:**

**Serial Number:**

**Safety Instructions**

- Carefully read through the entire owners manual before operating this compressor.
- Keep manual with important records for safety instructions, operating procedures and warranty.
- After unpacking your new air compressor, please inspect it carefully for any damage that may have occurred during transit.
- Do not operate this air compressor if damaged during shipment, handling or misuse.
- Damage may result in bursting, which can cause serious injury or property damage.
- All damaged parts must be repaired or replaced as needed prior to operating this air compressor.
- Check to see that all nuts, bolts and fittings are secure.
- Check to see that the proper lubrication oil, which has been included with the air compressor, is used to fill the compressor crankcase to the proper level.
- Please contact our customer service department at the numbers listed on the back of this instruction manual for any questions or comments regarding this air compressor.

## Save these Instructions

### SAFETY RULES



This is the safety alert symbol. It is used to alert you to potential personal injury hazards. Obey all safety messages that follow this symbol to avoid possible injury or death.

The safety alert symbol (▲) is used with a signal word (DANGER, CAUTION, WARNING), a pictorial and/or a safety message to alert you to hazards.













**DANGER** indicates a hazard which, if not avoided, will result in death or serious injury.

**WARNING** indicates a hazard which, if not avoided, could result in death or serious injury.

**CAUTION** indicates a hazard which, if not avoided, might result in minor or moderate injury.

**NOTICE** indicates a situation that could result in equipment damage. Follow safety messages to avoid or reduce the risk of injury or death.

### HAZARD SYMBOLS AND MEANINGS

			
EXPLOSION	FIRE	ELECTRIC SHOCK	TOXIC FUMES
			
KICKBACK	HOT SURFACE	WEAR EYE PROTECTION	SLIPPERY
			
FALL	FLUID INJECTION	MOVING PARTS	READ MANUAL

**⚠ WARNING**

**AIR TANK WARNING:** Drain liquid from air tank daily, or after each use, using the drain valve located on the bottom of the lower air tank. Failure to properly drain liquid from the tank will cause rust from moisture build-up, which weakens the tank and could lead to a violent tank explosion. Periodically inspect the tanks for unsafe conditions such as corrosion.

Never attempt to repair or make modifications to the tank or its attachments. Welding, drilling or any other modifications may weaken the tank, which may result in damage from rupture or explosion. Never remove or attempt to adjust the pressure switch, safety valve, or other factory set operating pressures.

**⚠ WARNING**

**FIRE WARNING:** Avoid dangerous environments. Do not use compressor near gasoline or other flammable materials. Keep work area well lit. Normal sparking of a motor or sparking from grinding metal could ignite fumes. Do not spray flammable materials in the vicinity of an open flame or other ignition source, including the air compressor itself. Do not direct paint or other spray material towards the compressor.

Read and follow all safety instructions for the material you are spraying. Be sure to use an approved respirator designed for use with your specific application.

**⚠ WARNING**

**BREATHABLE AIR WARNING:** This air compressor is not designed, nor intended for the supply of breathable quality air. Air produced by this unit may contain carbon monoxide or other toxic vapors.

Do not inhale air from the compressor or from a breathing device connected to it.



 **WARNING**


**AIR TOOLS AND ACCESSORIES WARNING:** Do not exceed the pressure rating of any air tools, spray guns, air accessories, or inflatables. Excess pressure can cause them to explode, resulting in serious injury. Follow the manufacturers recommended pressure settings for all air tools and air accessories.

 **WARNING**


Do not direct compressed air stream at people or pets. The powerful compressed air stream can damage exposed skin and easily propel loose dirt and other small objects. Always wear eye protection that meets ANSI Z28.1 specifications.

 **WARNING**


Keep hands and fingers away from exposed metal parts on a running air compressor. Air compressors generate significant heat during normal operation, which can cause serious burns. The compressor will remain hot for some time after operation and should not be touched or moved until cool.



**WARNING**  
ADVERTENCIA • AVERTISSEMENT

Cancer and Reproductive Harm  
Cáncer y Daño Reproductivo  
Cancer et dommages à la reproduction  
[www.P65Warnings.ca.gov](http://www.P65Warnings.ca.gov)

**GENERAL SAFETY INFORMATION**

Do not operate unit if damaged during shipping, handling or use. Damage may result in bursting and cause injury or property damage.

Since the air compressor and other components (filters, lubricators, hoses, etc.) used, make up a high pressure pumping system, the following safety precautions must be observed at all times:

1. Read all manuals included with this product carefully. Be thoroughly familiar with the controls and the proper use of the equipment.
2. Follow all local electrical and safety codes
3. Only persons well acquainted with these rules of safe operation should be allowed to use the compressor.
4. Keep visitors away and NEVER allow children in the work area.
5. Wear safety glasses and use hearing protection when operating the pump or unit.
6. Do not stand on or use the pump or unit as a handhold.
7. Before each use, inspect compressed air system and electrical components for signs of damage, deterioration, weakness or leakage. Repair or replace defective items before using.
8. Check all fasteners at frequent intervals for proper tightness.



**⚠ WARNING**

Compressor parts may be hot even if the unit is stopped.

9. Keep fingers away from a running compressor; fast moving and hot parts will cause injury and/or burns.
10. If the equipment should start to abnormally vibrate, STOP the engine/motor and check immediately for the cause. Vibration is generally a warning of trouble.
11. To reduce fire hazard, keep engine/motor exterior free of oil, solvent, or excessive grease. Never remove or attempt to adjust safety valve. Keep safety valve free from paint and other accumulations.
12. Never attempt to repair or modify a tank! Welding, drilling or any other modification will weaken the tank resulting in damage from rupture or explosion. Always replace worn or damaged tanks. Drain liquid from tank daily.
13. Tanks rust from moisture build-up, which weakens the tank. Make sure to drain tank daily and inspect periodically for unsafe conditions such as rust formation and corrosion.
14. Fast moving air will stir up dust and debris which may be harmful. Release air slowly when draining moisture or depressurizing the compressor system.

**SPRAYING PRECAUTIONS**

15. Do not smoke when spraying paint, insecticides, or other flammable substances.
16. Use a face mask/respirator when spraying and spray in a well ventilated area to prevent health and fire hazards.
17. Do not direct paint or other sprayed material at the compressor. Locate compressor as far away from the spraying area as possible to minimize overspray accumulation on the compressor.
18. When spraying or cleaning with solvents or toxic chemicals, follow the instructions provided by the chemical manufacturer.

 <b>WARNING</b>	
	Do not spray flammable materials in vicinity of open flame or near ignition sources including the compressor unit.

**HOSE PRECAUTIONS**

19. Inspect hose before use. Do not exceed working pressure marked on hose. Do not twist, bend knot, or abrade hose. Do not wrap hose around body.
20. Keep away from hot surfaces and chemicals.


**INSTALLATION AND LOCATION**

The compressor must be used on a stable level surface. The air compressor must be used in a clean and well-ventilated area. The compressor requires an unobstructed airflow and must be located a minimum of 18 inches from any walls or other obstructions.

<b>Extension Cord Length</b>	<b>Wire Size (A.W.C.)</b>
Up to 25 Feet	14
26 to 50 Feet	12
51 to 100 Feet	10

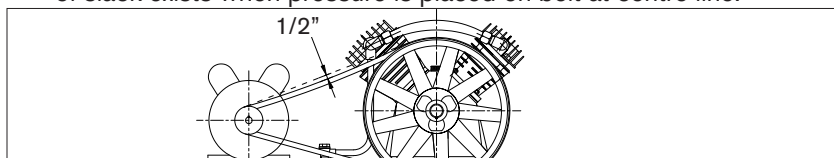
### Assembly

Read all safety instructions before using air compressor.

<b>⚠ WARNING</b>	
	The compressor is shipped without oil in the crankcase. Add oil as indicated below.

Check Oil Level Daily	<div style="border: 1px solid black; padding: 2px; display: inline-block;">Oil Level OK</div> <div style="border: 1px solid black; padding: 2px; display: inline-block; background-color: black; color: white;">Refill Oil Immediately</div>	
--------------------------	---	---

1. After opening the carton, please remove all parts and check against photograph on carton. Place air compressor on a flat, level surface.
2. Pour supplied oil into crankcase until the oil level reaches the red dot in the oil level sight glass. Be careful not to overfill.
3. Adjust tension of belt to ensure that a maximum of 1/2" / 12mm of slack exists when pressure is placed on belt at centre line.



**NOTE:** If the belt is installed too tightly, overloading of the motor will occur. This will cause the motor to overheat. If the belt is installed too loosely, it will slip and unstable operation and vibration will occur.

**Caution** - The rotating direction for the flywheel must follow the arrow shown on the belt guard.

4. Close tank drain valve on the bottom of the air tank by turning the valve clockwise until fully closed.
5. Attach the air coupler to the compressor regulator valve. Use Teflon thread-sealing tape on the threads to make sure you have an airtight connection. Do not over tighten fittings.
6. Attach the supplied air filter to the air intake port on the pump head.
7. Attach air hose and any desired air accessories (which are not included). Use Teflon thread-sealing tape on the threads to make sure you have an airtight connection. Do not over tighten fittings.

### NOTICE

Do not operate the compressor without lubricant or with low lubricant level. We are not responsible for damage caused to the compressor due to operation without proper lubrication.

## Product Features

### 1. Automatic ON/OFF Pressure Switch

The compressor is equipped with an automatic on/off pressure switch. The compressor will only run when the switch is in the "I"(ON) position. Once the tank has reached the desired preset pressure (see Operation Instructions), the pump will automatically shut off. While the switch is in the "I"(ON) position, the pump will automatically turn back on once the pressure in the tank drops below the minimum preset pressure. Do not leave the compressor unattended while the power switch is in the "I"(ON) position.

### 2. Regulator

The regulator allows you to select the amount of air pressure that is output through the air hose into tools and accessories. Refer to the air delivery requirements of your tools for the proper pressure settings.

### 3. Tank Pressure Gauge

The tank pressure gauge provides a reading of the air pressure inside of the compressor tank.

### 4. Safety Valve

This compressor is equipped with a safety valve switch that will engage when the pressure in the tank exceeds the maximum rated pressure. DO NOT attempt to modify or remove safety valve.

### 5. Tank Drain Fitting

Water is produced whenever air is compressed. It is critical to drain water from the air tank on this compressor frequently. If unit is used only occasionally, tank should be drained after each use and prior to the next use. To drain the tank, slowly open the tank drain fitting by turning clockwise. Once all water has drained out, close the fitting securely. **NOTE:** tank will not pressurize while fitting is open.

### 6. Safety Guard

The belt drive mechanism is protected by a metal guard. Do not attempt to modify or remove this safety guard.

## **Operating Instructions**

### **Initial Start Up**

1. Disconnect tools and/or accessories from the air hose.
2. Open the tank drain valve to allow air to escape preventing air pressure buildup in the air tank.
3. Check to see that the belt is installed properly with the correct tension.
4. Plug power supply cord into proper power source receptacle. (See Grounding Instructions)
5. Run the compressor for a minimum of twenty minutes in this no-load position to lubricate the bearings and piston.
6. Turn off compressor, drain liquid from tanks and close drain valve.
7. The compressor is now ready for use.

### **Start Up**

1. Slowly open tank drain by turning clockwise. Allow any water in tank to drain out. Close fitting securely.
2. Before starting the compressor, check for broken components and accessories, and check for damage to the hose.
3. Make sure the power switch is turned "O"(OFF) position.
4. Attach desired tool to the end of the air hose.
5. Turn the switch on the "I"(ON) position.
6. Adjust regulator knob to desired pressure level once the pump has shut off and the compressor has stopped running.

### **Storage**

1. Disconnect tools and/or accessories from the air hose.
2. Locate drain valve on bottom side of tank.
3. Open drain valve to release remaining pressurized air and moisture from the air tank. Moisture buildup in the tank is normal with air compressors, so a small amount of water may come out while draining the tank. Draining the tank is vital for longevity and safety of your air compressor.
4. Close valve and store the compressor in a cool, dry place.

### **Shut Down**

1. Turn the ON/OFF lever to the OFF position.
2. Rotate the pressure regulator knob counterclockwise until it is fully closed. Check regulated pressure gauge to ensure that it reads 0 PSI.
3. Remove air hose and other connected accessories.
4. Slowly open air tank drain valve to release remaining pressurized air, and tilt unit to fully drain accumulated liquid from air tanks. Moisture build-up in the tank is normal with air compressor, so a small amount of water may come out while draining the tank. Draining the tank is vital for the longevity and safety of your air compressor.
5. Close drain valve.
6. Allow compressor to cool down.
7. Clean and store compressor.

## **Maintenance**

### **When performing any maintenance or service**

- The air compressor must be turned off.
- Drain tanks.
- Allow compressor to cool down.

### **Daily**

- Check oil level.
- Drain accumulated liquid from tanks.
- Check for oil leaks.
- Check for unusual noise and/or vibrations
- Check that all fasteners are secure.

### **Weekly**

- Check safety relief valve.
- Inspect and clean air filter.
- Clean breather holes on oil check dipstick.

### **Monthly**

- Check for air leaks.
- Apply a solution of soapy water around joints.
- Look for air bubbles around joints when compressor reaches the pressure cut-out limit and pump turns off.
- Adjust belt tension and replace if worn or damaged.

### **Six Months or 250 Operating Hours**

- Change compressor oil.
- Use only SAE 20 or SAE 30 weight non-detergent oil.
- Replace oil more frequently when used in dusty operating environments.

### **Oil Change**

1. Place oil drain pan below oil drain plug.
2. Remove dipstick to allow air to enter crankcase.
3. Remove oil drain plug.
4. Allow oil to drain completely.
5. Clean and replace oil drain plug.
6. Refill crankcase with SAE 20 or SAE 30 weight non-detergent oil to red dot on oil level sight glass. Be careful not to overfill.

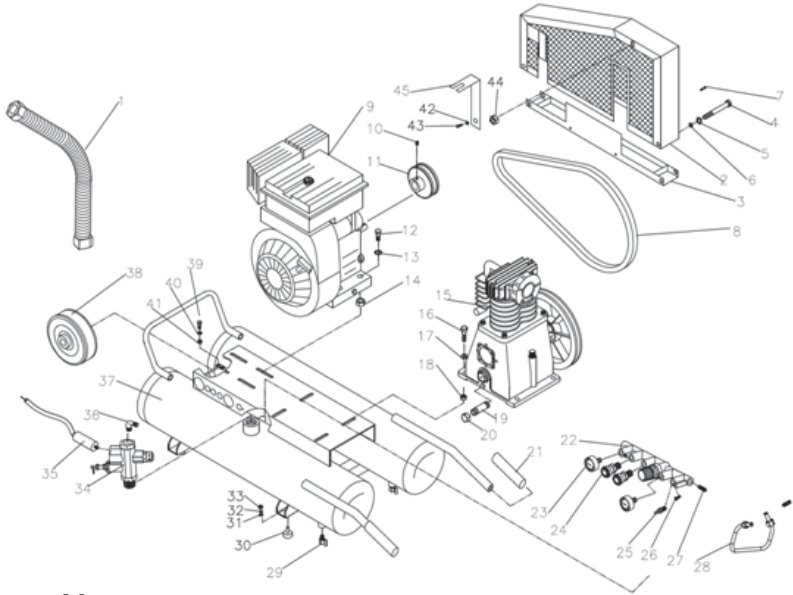
## Troubleshooting Chart

Trouble	Possible Cause	Corrective Action
No start condition	Gas engine not running	Check operation of gas engine
Low pressure	Air leak in safety valve	Check valve manually by pulling upward on rings. If condition persists, replace valve.
	Loose tube or fittings	Tighten fittings
	Restricted air filter	Clean or replace
	Belt loose	Adjust belt tension
	Defective check valve	Replace check valve
Safety valve releasing	Defective pressure switch or improper adjustment	Check for proper adjustment and if problem persists, replace pressure switch
Oil discharge in air	Improper oil viscosity	Replace oil with 20-30 weight non-detergent oil
	Too much oil in crankcase	Drain crankcase and fill to proper level
	Restricted air filter	Clean or replace filter
	Worn piston rings	Replace piston rings
Excessive belt wear	Belt too loose	Adjust for proper tension
	Belt too tight	Adjust for proper tension
	Motor pulley out of alignment	Align motor pulley by adjusting the position of the electric motor

During the break-in period, nuts and bolts have a tendency to loosen. After two weeks, tighten all nuts and bolts including head bolts. Check every month to make sure all nuts and bolts stay tight.



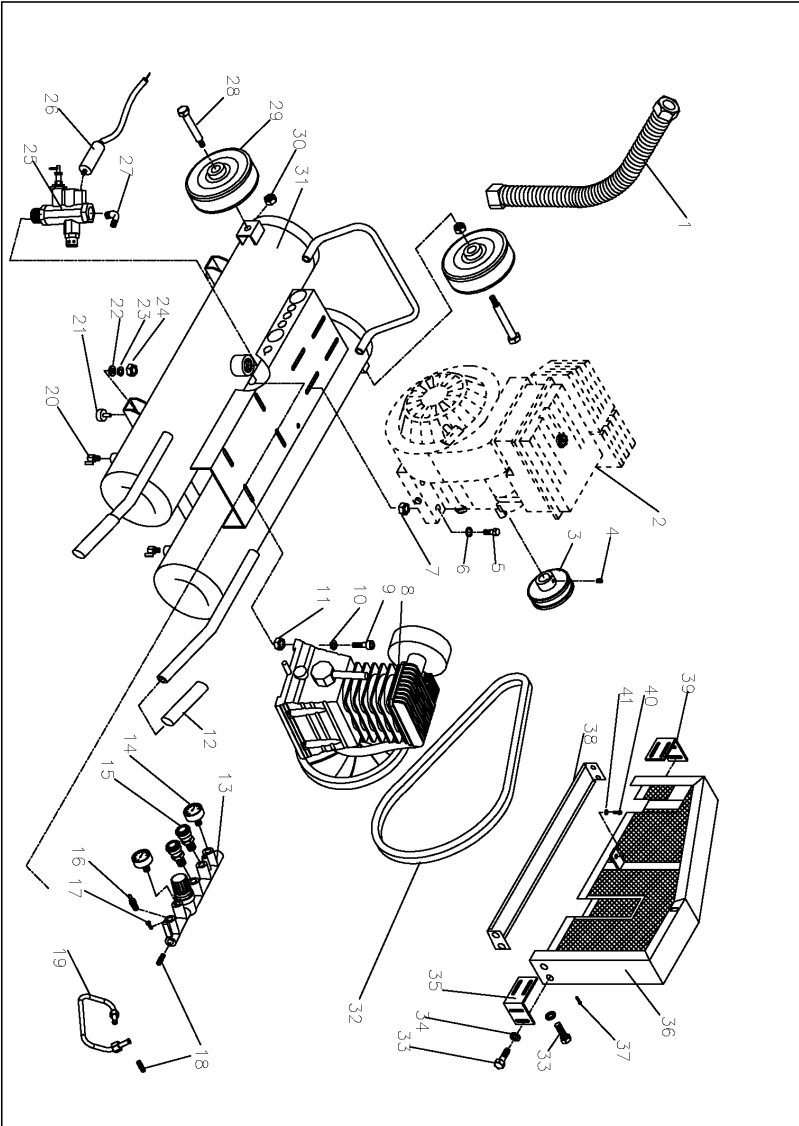
## PA-C6508/PA-C6520 Parts Diagram



## Parts List

No.	Description	Qty	Part #	No.	Description	Qty	Part #
1	Exhaust Pipe Assembly	1	500712250	24	Quick Disconnect	2	80MS1/4MOscr
2	Safety Guard	1	2009618A	25	Safety valve	1	301014N6A
3	Safety Guard	1	2009605	26	Screw,Cross recess head	2	6021515
4	Bolt	2	6005890	27	nipple	2	20331438A
5	Spring Washer	2	60018	28	Pipe	1	500738290
6	Washer	2	60028	29	Drain Cock	2	300214C
7	M5x0.8x8 Screw	3	603458	30	Foot Rubber Pad	4	2005621
8	V-Belt	1	4004A53	31	8 Flat Washer	4	60248
9	Engine	1	02G70	32	Spring Washer	4	60018
10	In-six Angle Bolt	1	6011520	33	Bolt	4	6005830
11	Motor Pulley	1	4002451905A1	34	Pilot Unloader Valve	1	30091212
12	Bolt	4	6005840	35	Gas Pedal	1	304318-1
13	Spring Washer	4	60018	36	Exhaust Elbow	1	50051234C
14	Six Angle Nut	4	60068	37	Air Tank	1	20T028D411
15	Pump	1	01UH30-2	38	Tank Wheel	1	200210C
16	Bolt	4	6005830	39	Screw,Cross recess head	2	6021535
17	Spring Washer	4	60018	40	Spring Washer	2	60015
18	Six Angle Nut	4	60068	41	Six Angle Nut	2	60065
19	Discharge tubing	1	5318UH30	42	Washer	2	60026
20	Six Angle Nut	1	5318UH301	43	Screw	1	6005625
21	Grip, Handle	2	200624120	44	Six Angle Nut	1	60066
22	Manifold	1	300514275	45	link span	1	60263
23	Pressure Gauge	2	30032014LC				

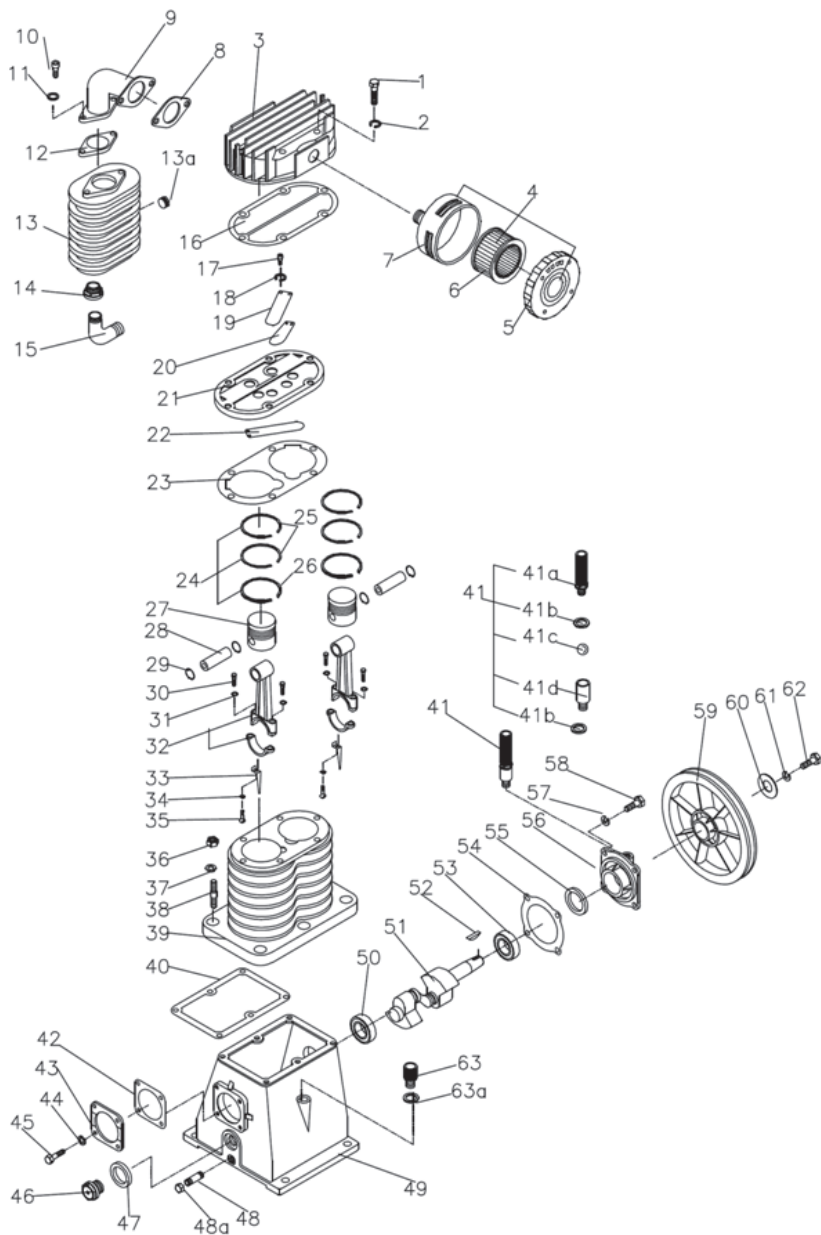
### PA-C9008 Parts Diagram



## Parts List

REF.	DESCRIPTION	QTY	PART #
1	Exhaust Pipe Assembly	1	42.004.019
3	Motor Pulley	1	42.008.015
8	Pump	1	42.008.007
13	Manifold	1	42.004.011
19	Pipe	1	42.008.000
28	Screw,	2	42.008.005
29	Tank Wheel	2	
30	Six Angle Nut	2	
32	V-Belt	1	42.008.006
33	Bolt	8	42.008.016
34	Washer	8	
35	Safety Guard Seat L	1	
36	Safety Guard	1	
37	M5x0.8x8 Screw	3	
38	Safety Guard	1	
39	Safety Guard Seat S	1	
40	Bolt	1	
41	Spring Washer	1	
14	Pressure Gauge	2	
15	Coupler	2	42.000.046
16	Safety valve	1	42.006.046

### PA-C6508/PA-C6520 pump

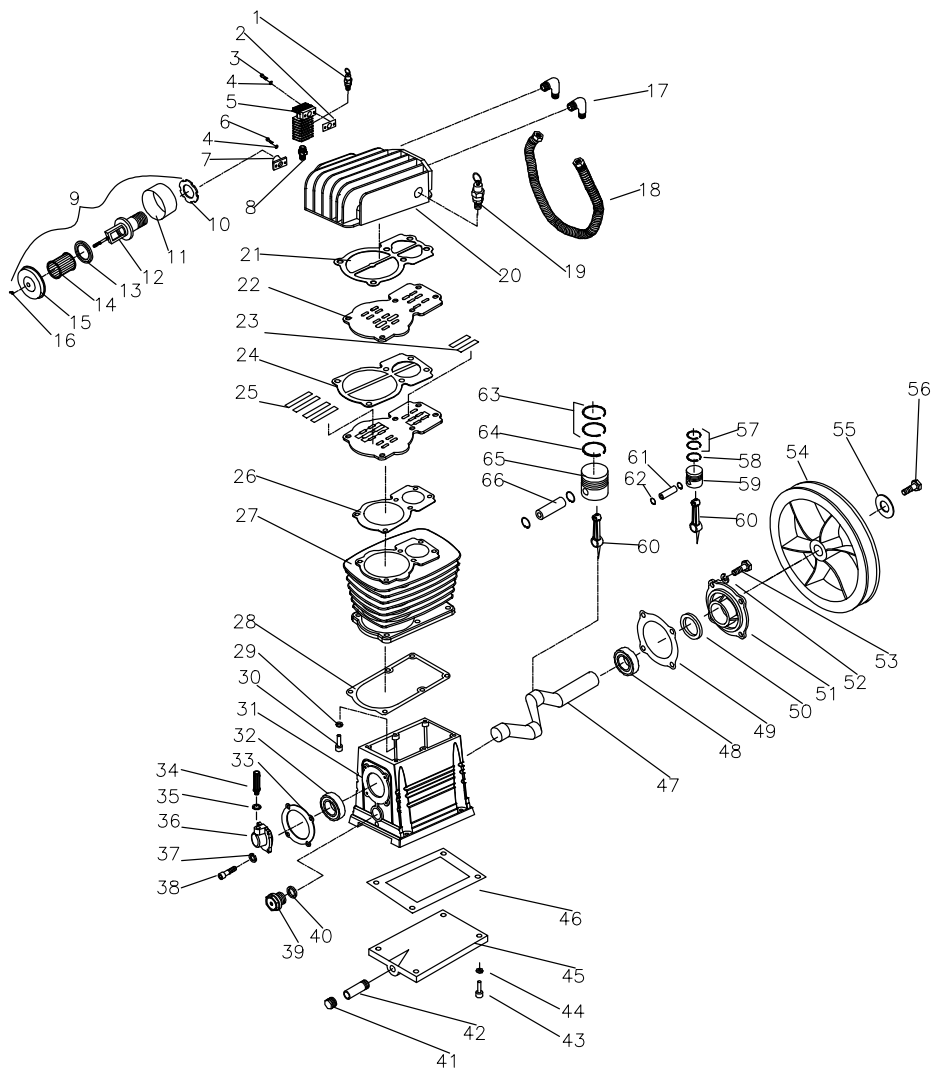


## Parts List

No.	Description	Qty	Part #
1	Bolt	6	6005880B
2	Spring Washer	6	60018
3	Cylinder Head	1	5101UH30
4	Air Filter Assy	1	504034
5	Front Cover, Air Filter	1	504434
6	Element, Air Filter	1	504334
7	Rear Cover, Air Filter	1	504534
8	Exht. Elbow Gasket	1	501365A
9	Exht. Elbow	1	5011UH30
10	In-six Angle Bolt	4	6011825B
11	Copper Washer	4	60028C
12	Exht. Elbow Gasket	1	501365
13	Exht. Cooler	1	5014UH30
13a	Bolt	1	531814
14	Nut,Exhaust	1	20341234
15	Exhaust Elbow	1	50051234
16	Gasket, Cylinder Head	1	5102UH30
17	M4*10 Screw	8	6021410
18	Spring Washer	8	60014
19	Outlet Valve Guard	2	514580
20	Valve Plate	2	513380
21	Vavle Seat	1	510365UH
22	Valve Plate	2	51138519
23	Gasket, Cylinder	1	5107UH30
24	Piston Ring Set	2	520065
25	Compression Ring	4	520365
26	Oil Ring	2	520465
27	Piston	2	520265
28	Piston Pin	2	52071457
29	Piston Pin Clip	4	6018147
30	In-Six Angle Bolt	4	6011835
31	Spring Washer	4	60018
32	Connecting Rod	2	5206UB40
33	Splasher	2	5213UH30
34	Spring Washer	2	60014
35	Screw,Cross recess head	2	6021410
36	Six Angle Nut	6	60068
37	Spring Washer	6	60018

No.	Description	Qty	Part #
38	Stud	6	6013835
39	Cylinder	1	52016550
40	Gasket, Cylinder	1	5214UH30
41	Breather Assy	1	533016A
41a	Breather	1	533316A
41b	Washer,Breather	2	6014153
41c	Ball	1	5331113
41d	Rod, Breather	1	53321616
42	Gasket, Bearing Cover	1	5312UB20
43	Bearing Cover	1	5313UB40
44	Spring Washer	4	60016
45	Bolt	4	6005620B
46	Oil Leveler	1	532012
47	Washer, Oil Leveler	1	532112
48	Discharge tubing	1	5318UH30
48a	Six Angle Nut	1	5318UH301
49	Crankcase	1	5301UH30
50	Bearing	1	60176304
51	Crankshaft	1	5308UH30
52	Woodruff Key	1	601557519
53	Bearing	1	60176205Z
54	Gasket, Bearing Seat	1	5307UH30
55	Oil Seal	1	6016243575
56	Bearing Seat	1	5306UH30
57	Spring Washer	4	60018
58	Bolt 8,8	4	6005825A
59	Pulley	1	53021224A1
60	Pulley Washer	1	5304UB10
61	Spring Washer	1	60018L
62	Bolt	1	6005840L
63	Oil Filling Plug	1	5316UH55
63a	Washer	1	6014153

### PA-C9008 Pump



## Parts List

No.	Description	Qty
1	Safety Valve	1
2	Cooler Washer	1
3	In-Six Angle Bolt	2
4	Spring Washer	4
5	Exhaust Cooler	1
6	In-Six Angle Bolt	2
7	Flange	1
8	Nipple	1
9	Air Filter Assy	1
10	Check Washer, Air Filter	1
11	Rear Cover, Air Filter	1
12	Connect Seat, Air Filter	1
13	Washer, Air Filter	1
14	Element, Air Filter	1
15	Front Cover, Air Filter	1
16	Nut	1
17	Cooler Elbow	2
18	Intercooler copper pipe	1
19	Safety Valve	1
20	Cylinder Head	1
21	Gasket, Cylinder Head	1
22	Vavle Seat	2
23	Valve Plate	2
24	Al. Gasket	1
25	Valve Plate	4
26	Gasket, Cylinder	1
27	Cylinder	1
28	Gasket, Cylinder	1
29	Spring Washer	6
30	In-Six Angle Bolt	6
31	Crankcase	1
32	Bearing	1
33	Gasket, Bearing Cover	1
34	Breather	1
35	Washer, Breather	1
36	Bearing Cover	1
37	Spring Washer	4
38	In-Six Angle Bolt	4

No.	Description	Qty
39	Oil Leveler	1
40	Washer, Oil Leveler	1
41	Oil Drain Plug	1
42	Oil Drain pipe	1
43	In-Six Angle Bolt	4
44	Spring Washer	4
45	Soleplate	1
46	seat gasket	1
47	Crankshaft	1
48	Brearing	1
49	Gasket, Bearing Seat	1
50	Oil Seal	1
51	Bearing Seat	1
52	Spring Washer	6
53	Bolt	6
54	Pulley	1
55	Washer	1
56	Bolt	1
57	Compression Ring	2
58	Oil Ring	1
59	Piston	1
60	Connecting Rod	2
61	Piston Pin	1
62	Circlip for Hole	4
63	Compression Ring	2
64	Oil Ring	1
65	Piston	1
66	Piston Pin	1



## **WARRANTY**

### **CALIFORNIA AND FEDERAL EXHAUST AND EVAPORATIVE EMISSIONS CONTROL WARRANTY STATEMENT**

#### **YOUR WARRANTY RIGHTS AND OBLIGATIONS**

The California Air Resources Board, the United States Environmental Protection Agency and Chongqing Rato Technology Co., Ltd. (Rato), are pleased to explain the exhaust and evaporative emissions (“emissions”) control system warranty on your 2019/2020 small off-road engine/equipment.

In California, new equipment that use small off-road engines must be designed, built, and equipped to meet the State’s stringent anti-smog standards. Rato must warrant the emissions control system on your small off-road engine/equipment for the period listed below provided there has been no abuse, neglect or improper maintenance of your small off-road engine/equipment leading to the failure of the emissions control system.

Your emissions control system may include parts such as the carburetor or fuel-injection system, the ignition system, catalytic converter, fuel tanks, fuel lines (for liquid fuel and fuel vapors), fuel caps, valves, canisters, filters, clamps and other associated components. Also included may be hoses, belts, connectors, and other emission-related assemblies.

Where a warrantable condition exists, Rato will repair your small off-road engine/equipment at no cost to you including diagnosis, parts and labor.

#### **MANUFACTURER’S WARRANTY COVERAGE**

The exhaust and evaporative emissions control system on your small off-road engine/equipment is warranted for two years. If any emissions-related part on your small off-road engine/equipment is defective, the part will be repaired or replaced by Rato.

#### **OWNER’S WARRANTY RESPONSIBILITIES**

As the small off-road engine/equipment owner, you are responsible for performance of the required maintenance listed in your owner’s manual. Rato recommends that you retain all receipts covering maintenance on your small off-road engine/equipment, but Rato cannot deny warranty coverage solely for the lack of receipts or for your failure to ensure the performance of all scheduled maintenance.

As the small off-road engine/equipment owner, you should however be aware that Rato may deny your warranty coverage if your small off-road engine/equipment or a part has failed due to abuse, neglect, or improper maintenance or unapproved modifications.

You are responsible for presenting your small off-road engine/equipment to a Rato



distribution center or service center as soon as the problem exists. The warranty repairs shall be completed in a reasonable amount of time, not to exceed 30 days.

If you have any questions regarding your warranty rights and responsibilities, you should contact BE POWER EQUIPMENT at 1-800-663-8331 (free phone) or Email at [info@bepressure.com](mailto:info@bepressure.com)

### DEFECTS WARRANTY REQUIREMENTS

A - The warranty period begins on the date the small off-road engine/equipment is delivered to an ultimate purchaser.

B - General Emissions Warranty Coverage. Rato warrants to the ultimate purchaser and each subsequent owner that the engine or equipment is:

1. Designed, built, and equipped so as to conform with all applicable regulations adopted by the Air Resources Board; and
2. Free from defects in materials and workmanship that causes the failure of a warranted part for a period of two years.

C - The warranty on emission-related parts will be interpreted as follows:

1. Any warranted part that is not scheduled for replacement as required maintenance in the written instructions must be warranted for the warranty period defined in Subsection (b)(2). If any such part fails during the period of warranty coverage, it must be repaired or replaced by Rato according to Subsection (4) below. Any such part repaired or replaced under the warranty must be warranted for the remaining warranty period.
2. Any warranted part that is scheduled only for regular inspection in the written instructions must be warranted for the warranty period defined in Subsection (b) (2). A statement in such written instructions to the effect of "repair or replace as necessary" shall advise owners of the warranty coverage for emissions related parts. Replacement within the warranty period is covered by the warranty and will not reduce the period of warranty coverage. Any such part repaired or replaced under warranty must be warranted for the remaining warranty period.
3. Any warranted part that is scheduled for replacement as required maintenance in the written instructions must be warranted for the period of time prior to the first scheduled replacement point for that part. If the part fails prior to the first scheduled replacement, the part must be repaired or replaced by Rato according to Subsection (4) below. Any such part repaired or replaced under warranty must be warranted for the remainder of the period prior to the first scheduled replacement point for the part.
4. Repair or replacement of any warranted part under the warranty provisions must be performed at no charge to the owner at a warranty station.

1. Notwithstanding the provisions of Subsection (4) above, warranty services or repairs must be provided at distribution centers that are franchised to service the subject engine/equipment.
2. The owner must not be charged for diagnostic labor that leads to the determination that a warranted part is in fact defective, provided that such diagnostic work is performed at a warranty station.
3. Rato is liable for damages to other engine/equipment components proximately caused by a failure under warranty of any warranted part.
4. Throughout the emissions control system's warranty period set out in subsection (b)(2), Rato must maintain a supply of warranted parts sufficient to meet the expected demand for such parts and must obtain additional parts if that supply is exhausted.
5. Manufacturer-approved replacement parts that do not increase the exhaust or evaporative emissions of the engine or emissions control system must be used in the performance of any warranty maintenance or repairs and must be provided without charge to the owner. Such use will not reduce the warranty obligations of Rato.
6. Add-on or modified parts that are not exempted by the Air Resources Board may not be used. The use of any non-exempted add-on or modified parts will be grounds for disallowing a warranty claim. Rato will not be liable to warrant failures of warranted parts caused by the use of a non-exempted add-on or modified part.
11. Rato issuing the warranty shall provide any documents that describe that warranty procedures or policies within five working days of request by the Executive Officer.

#### D - Emission Warranty Parts List for Exhaust

1. Fuel Metering System
  - Carburetor and internal parts (and/or pressure regulator or fuel injection system).
  - Air/fuel ratio feedback and control system.
  - Cold start enrichment system.
2. Air Induction System
  - Controlled hot air intake system.
  - Intake manifold.
  - Air filter.
3. Ignition System
  - Spark Plugs.
  - Magneto or electronic ignition system.
  - Spark advance/retard system.
4. Exhaust Gas Recirculation (EGR) System
  - EGR valve body, and carburetor spacer if applicable.
  - EGR rate feedback and control system.
5. Air Injection System
  - Air pump or pulse valve.

- Valves affecting distribution of flow.
  - Distribution manifold.
6. Catalyst or Thermal Reactor System
    - Catalytic converter.
    - Thermal reactor.
    - Exhaust manifold.
  7. Particulate Controls
    - Traps, filters, precipitators, and any other device used to capture particulate emissions.
  8. Miscellaneous Items Used in Above Systems
    - Electronic controls.
    - Vacuum, temperature, and time sensitive valves and switches.
    - Hoses, belts, connectors, and assemblies.

### E - Emission Warranty Parts List for Evap

1. Fuel Tank
2. Fuel Cap
3. Fuel Lines (for liquid fuel and fuel vapors)
4. Fuel Line Fittings
5. Clamps\*
6. Pressure Relief Valves\*
7. Control Valves\*
8. Control Solenoids\*
9. Electronic Controls\*
10. Vacuum Control Diaphragms\*
11. Control Cables\*
12. Control Linkages\*
13. Purge Valves\*
14. Gaskets\*
15. Liquid/Vapor Separator
16. Carbon Canister
17. Canister Mounting Brackets
18. Carburetor Purge Port Connector

\*Note: As they relate to the evaporative emission control system.

Rato will furnish with each new small off-road engine/equipment written instructions for the maintenance and use of the engine/equipment by the owner.

***patron***®

**patron**<sup>®</sup>

RATO fournira avec chaque nouveau petit moteur / équipement tout-terrain des instructions écrites pour l'entretien et l'utilisation du moteur / équipement par le propriétaire.

\* Remarque: En ce qui concerne le système de contrôle des émissions par évaporation.

1. Réservoir d'essence
2. Bouchon du réservoir d'essence
3. Lignes de carburant (pour le carburant liquide et les vapeurs de carburant)
4. Raccords de conduite de carburant
5. Pincés \*
6. Soupapes de décharge de pression\*
7. Vannes de contrôle \*
8. Solénoïdes de contrôle \*
9. Commandes électroniques \*
10. Diaphragmes de contrôle du vide \*
11. Câbles de contrôle \*
12. Liens de contrôle \*
13. Vannes de purge \*
14. Joints \*
15. Séparateur Liquide / Vapeur
16. Bidon de carbone
17. Supports de montage de bidon
18. Connecteur du port de purge du carburateur

E - Liste des pièces sous garantie Emission pour Evap

8. Divers articles utilisés dans les systèmes ci-dessus
  - Commandes électroniques.
  - Vannes et commutateurs sensibles au vide, à la température et au temps.
  - Tuyaux, courroies, connecteurs et assemblages.
7. Contrôle des particules
  - Les pièges, filtres, précipitateurs et tout autre dispositif utilisé pour capter les émissions de particules.
6. Catalyseur ou système de réacteur thermique
  - Convertisseur catalytique.
  - Réacteur thermique.
  - Collecteur d'échappement.
5. Système d'injection d'air
  - Pompe à air ou valve à impulsion.
  - Les vannes affectant la distribution du flux.
  - Collecteur de distribution.
4. Corps de la vanne EGR et entretoise de carburateur, le cas échéant.

1. La réparation ou le remplacement de toute pièce sous garantie en vertu des dispositions de la garantie doit être effectué sans frais pour le propriétaire dans un centre de garantie.
  2. être effectué sans frais pour le propriétaire dans un centre de garantie.
  3. Nonobstant les dispositions du paragraphe (4) ci-dessus, des services de garantie ou des réparations doivent être fournis dans des centres de distribution franchisés pour assurer la maintenance du moteur / équipement en question.
  4. Le propriétaire ne doit pas être facturé pour le travail de diagnostic menant à la conclusion qu'une pièce garantie est effectivement défectueuse, à condition que ce travail de diagnostic soit effectué dans un centre de garantie.
  5. RATO est responsable des dommages subis par d'autres composants du moteur / de l'équipement et causés par une défaillance sous garantie de toute pièce sous garantie.
  6. Pendant toute la période de garantie du système de contrôle des émissions définie au paragraphe (b) (2), RATO doit maintenir une quantité de pièces sous garantie suffisante pour répondre à la demande attendu pour ces pièces et doit obtenir des pièces supplémentaires si cette offre est épuisée.
  7. Les pièces de rechange approuvées par le fabricant qui n'augmentent pas les émissions d'échappement ou d'évaporation du moteur ou du système de contrôle des émissions doivent être utilisées dans le cadre de tout entretien ou réparation sous garantie et doivent être fournies sans frais pour le propriétaire. Une telle utilisation ne réduira pas les obligations de garantie de RATO.
  8. Les pièces ajoutées ou modifiées qui ne sont pas exemptées par le Air Resources Board ne peuvent pas être utilisées. L'utilisation de pièces ajoutées ou modifiées non exemptées constituera un motif de rejet d'une demande de garantie. RATO ne sera pas tenu de garantir les défaillances des pièces sous garantie causées par l'utilisation d'une pièce ajoutée ou modifiée non exemptée.
  9. RATO émettant la garantie doit fournir tous les documents décrivant ces procédures ou politiques de garantie dans les cinq jours ouvrables suivant la demande de l'Administrateur.
- D - Emission Warranty Parts List for Exhaust
1. Système de dosage de carburant (et / ou régulateur de pression ou système d'injection de carburant),
  - Contrôle du rapport air / carburant et système de contrôle.
  - Système d'enrichissement à démarrage à froid.
  - Système d'induction d'air
  - Système d'admission d'air chaud contrôle.
  - Tubulure d'admission.
  - Filtre à air.
  3. Système de mise à feu
  - Bougies.
  - Magnéto ou allumage électronique.
  - Système d'avance / retard à l'allumage.
  4. Système de recyclage des gaz d'échappement (EGR)

le reste de la période précédant le premier point de remplacement prévu de la pièce.  
 dessous. Toute pièce de ce type réparée ou remplacée sous garantie doit être garantie pour  
 prévu, elle doit être réparée ou remplacée par RATO conformément au paragraphe (4) ci-  
 remplacement prévu pour cette pièce. Si la pièce fait défaut avant le premier remplacement  
 instructions écrites de la maintenance doit être justifiée pour la période précédant le premier

3. Toute pièce sous garantie dont le remplacement est programmé conformément aux  
 remplacée sous garantie doit être garantie pour la période de garantie restante.  
 la garantie et ne réduira pas la période de couverture. Toute pièce de ce type réparée ou  
 aux émissions. Le remplacement effectué pendant la période de garantie est couvert par  
 besoins » informera les propriétaires de la couverture de la garantie pour les pièces liées  
 déclaration dans de telles instructions écrites à l'effet de «réparer ou remplacer selon les  
 écrites doit être garantie pour la période de garantie définie à la sous-section (b) (2). Une  
 2. Toute pièce sous garantie qui ne doit être inspectée régulièrement que dans les instructions  
 doit être garantie pour la période de garantie restante.  
 paragraphe (4) ci-dessous. Toute pièce réparée ou remplacée dans le cadre de la garantie  
 la période de garantie, elle doit être réparée ou remplacée par RATO conformément au  
 garantie définie à la sous-section (b) (2). Si l'une de ces pièces tombe en panne pendant  
 maintenance requis dans les instructions écrites doit être garantie pour la période de  
 1. Toute pièce garantie dont le remplacement n'est pas planifié en raison des travaux de

C - La garantie sur les pièces liées aux émissions sera interprétée comme suit:

1. Conçus, construits et équipés de manière à être conformes à tous les règlements  
 applicables adoptés par le Air Resources Board; et  
 2. Exempt de défauts de matériaux et de fabrication entraînant la défaillance d'une pièce sous  
 garantie pendant une période de deux ans.

B - Couverture générale de la garantie des émissions. RATO garantit à l'acheteur final et à chaque  
 propriétaire ultérieur que le moteur ou l'équipement est:

A - La période de garantie commence à la date à laquelle le petit moteur / équipement tout-terrain  
 est livré à l'acheteur final.

## DÉFAUTS EXIGENCES DE LA GARANTIE

Si vous avez des questions concernant vos droits et responsabilités en matière de garantie, vous  
 devez contacter BE POWER EQUIPMENT au 1-800-663-8331 (téléphone gratuit) ou par courrier  
 électronique à l'adresse [info@bepressure.com](mailto:info@bepressure.com).

Vous êtes responsable de présenter votre petit moteur / équipement tout-terrain à un centre de  
 distribution ou de service après-vente RATO dès que le problème existe. Les réparations sous  
 garantie doivent être effectuées dans un délai raisonnable ne dépassant pas 30 jours.



## DECLARATION DE GARANTIE DE LA CALIFORNIE ET DU GOUVERNEMENT FEDERAL SUR LES EMISSIONS D'EVAPORATION

### VOUS DROITS ET OBLIGATIONS DE GARANTIE

California Air Resources Board, l'Environmental Protection Agency des Etats-Unis et Chongqing RATO Technology Co., Ltd. (RATO) ont le plaisir de vous expliquer la garantie du système de contrôle des émissions et des émissions par évaporation («émissions») de votre petit appareil 2019/2020. moteur / équipement de route.

En Californie, les nouveaux équipements utilisant de petits moteurs tout-terrain doivent être conçus, construits et équipés pour répondre aux normes strictes de l'Etat en matière de lutte contre le smog. RATO doit garantir le système de contrôle des émissions de votre petit moteur / équipement tout-terrain pour la période indiquée ci-dessous, à condition qu'aucun abus, négligence ou mauvais entretien de votre petit moteur / équipement n'ait entraîné l'échec du système de contrôle des émissions.

Votre système de contrôle des émissions peut inclure des pièces telles que le carburateur ou le système d'injection de carburant, le système d'allumage, le convertisseur catalytique, les réservoirs de carburant, les conduites de carburant (pour le carburant liquide et les vapeurs de carburant), les bouchons de carburant, les soupapes, les bidons, les filtres, les colliers de serrage et autres, composants associés. Sont également inclus les tuyaux, courroies, connecteurs et autres ensembles liés aux émissions.

Lorsqu'il existe une condition de garantie, RATO réparera gratuitement votre petit moteur / équipement tout-terrain, diagnostic, pièces et main-d'œuvre compris.

### COUVERTURE DE GARANTIE DU FABRICANT

Le système de contrôle des gaz d'échappement et de l'évaporation sur votre petit moteur / équipement tout-terrain est garanti pendant deux ans. Si une pièce liée aux émissions de votre petit moteur / équipement tout-terrain est défectueuse, elle sera réparée ou remplacée par RATO.

### RESPONSABILITES DE LA GARANTIE DU PROPRIETAIRE

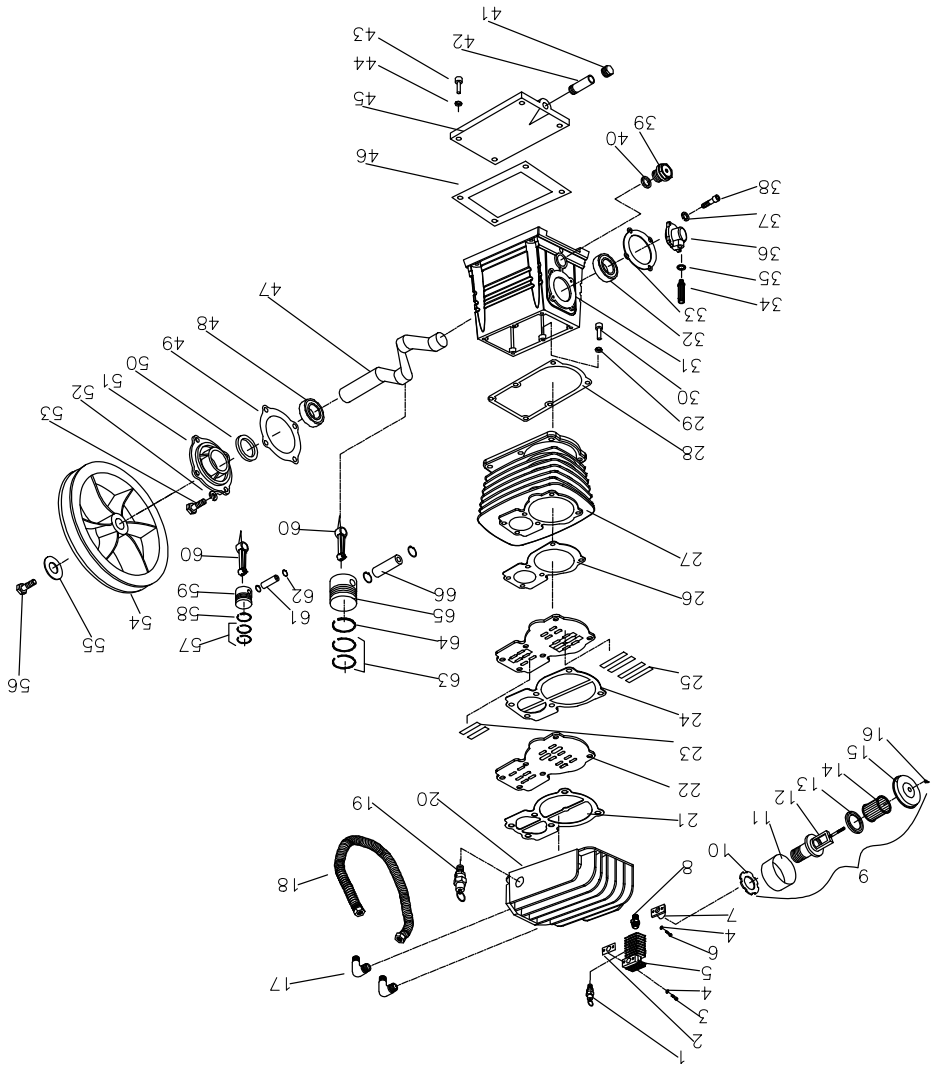
En tant que propriétaire petit de moteur / d'équipement hors route, vous êtes responsable de l'exécution de l'entretien requis indiqué dans votre manuel du propriétaire. RATO vous recommande de conserver tous les reçus concernant la maintenance de votre petit moteur / équipement tout-terrain, mais RATO ne peut pas refuser la couverture de la garantie uniquement pour le manque de reçus ou pour ne pas avoir assuré l'exécution de toutes les tâches de maintenance programmées.

En tant que propriétaire de petit moteur / équipement hors route, vous devez toutefois savoir que RATO peut refuser votre couverture de garantie si votre petit moteur / équipement tout-terrain ou une pièce est tombé en panne en raison d'un abus, d'une négligence, d'un mauvais entretien ou de modifications non approuvées.

## Liste des pièces

No.	Description	Qty
1	Soupape de sécurité	1
2	Rondelle de refroidissement	1
3	Boulon à angle en six	2
4	Rondelle à ressort	4
5	Refroidisseur Exhaust	1
6	Boulon à angle en six	2
7	Bride	1
8	Téton	1
9	Ensemble de filtre à air	1
10	Vérifier la rondelle, le filtre à air	1
11	Couvercle arrière, le filtre à air	1
12	Connecter le siège, le filtre à air	1
13	Rondelle, filtre à air	1
14	Élément, filtre à air	1
15	Capot avant, filtre à air	1
16	Écrou	1
17	Cooler Elbow	2
18	Tuyau en cuivre intercooler	1
19	Soupape de sécurité	1
20	Culasse	1
21	Joint, culasse	1
22	Siège Vavle	2
23	Plaque de soupape	2
24	Al. Joint	1
25	Plaque de soupape	4
26	Joint, cylindre	1
27	Cylindre	1
28	Joint, cylindre	1
29	Rondelle à ressort	6
30	Boulon à angle en six	6
31	Carter	1
32	Palier	1
33	Joint, couvercle de roulement	1
34	Renfilar	1
35	Rondelle, renfilar	1
36	Couvercle de palier	1
37	Rondelle à ressort	4
38	Boulon à angle en six	4

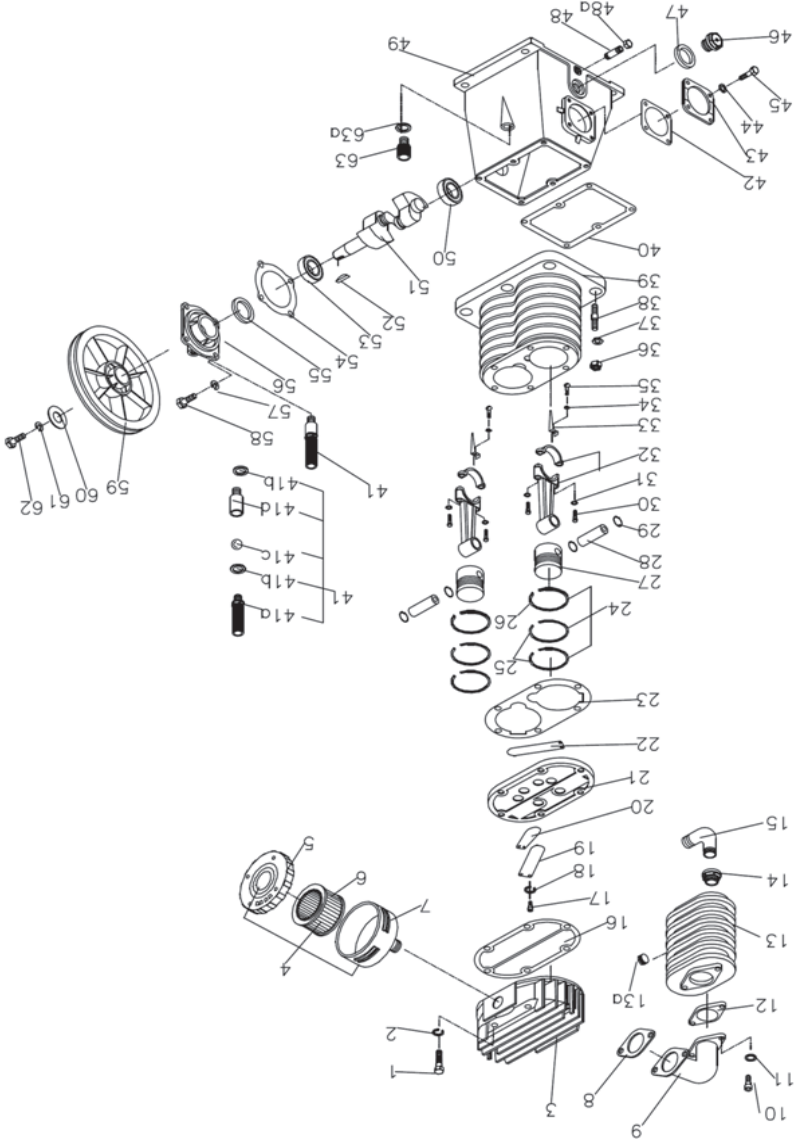
No.	Description	Qty
39	Niveleur d'huile	1
40	Rondelle, niveleur d'huile	1
41	Bouchon de vidange d'huile	1
42	Tuyau de vidange d'huile	1
43	Boulon à angle en six	4
44	Rondelle à ressort	4
45	Semelle	1
46	Joint de siège	1
47	Vilbrequin	1
48	Porter	1
49	Joint, siège de roulement	1
50	Joint Huile	1
51	Siège de roulement	1
52	Rondelle à ressort	6
53	Boulon	6
54	Pouille	1
55	Machine à laver	1
56	Boulon	1
57	Bague de compression	2
58	Bague d'huile	1
59	Piston	1
60	Bielle	2
61	Axe de piston	1
62	Circlip pour trou	4
63	Bague de compression	2
64	Bague d'huile	1
65	Piston	1
66	Axe de piston	1



PA-C9008 Pompe

**Liste des pièces**

No.	Description	Qty	Pièce #	No.	Description	Qty	Pièce #
1	Bouillon	6	6005880B	38	clou	6	6013835
2	Ressort rondelle	6	60018	39	cylindre	1	52016550
3	Cuissage	1	5101UH30	40	Joint d'étanchéité, cylindre	1	5214UH30
4	Filter à air assemblage	1	504034	41	Renflard assemblage	1	533016A
5	Lenilles frontales, Filter à air	1	504434	41A	Renflard	1	533316A
6	éléments , Filter à air	1	50434	41B	rondelle, Renflard	2	6014153
7	couverture, Filter à air	1	504534	41C	Bille	1	5331113
8	Joint d'échappement coude	1	501365A	41D	Tige, Renflard	1	53321616
9	coude d'échappement	1	5011UH30	42	Bague de roulement	1	5312UB20
10	In-six boulon d'angle	4	6011825B	43	Roulement avant	1	5313UB40
11	cuivre rondelle	4	60028C	44	Ressort rondelle	4	60016
12	Joint d'échappement coude	1	501365	45	bouillon	4	6005620B
13	Rétrogradeur de gaz d'échappement	1	5014UH30	46	Voyant vitre d'huile	1	532012
13A	boulon	1	531814	47	rondelle, Voyant vitre d'huile	1	532112
14	l'écrout, d'échappement	1	20341234	48	tuyau d'évacuation	1	5318UH30
15	coude d'échappement	1	50051234	48A	Six Angle l'écrout	1	5318UH301
16	joint d'étanchéité, tête de cylindre	1	5102UH30	49	Cartier de la pompe	1	5301UH30
17	M4*10 vis	8	6021410	50	Roulement à billes	1	60176304
18	rondelle	8	60014	51	Vitebrequin	1	5308UH30
19	sortie de la tulipe	2	614580	52	Cle demi-lune	1	60157519
20	Plaque de soupape	2	613380	53	Roulement à billes	1	60176205Z
21	Siège de soupape	1	610365UH	54	Bouchon arrière du joint d'étanchéité	1	5307UH30
22	Plaque de soupape	2	61138519	55	Joint d'étanchéité d'huile	1	6016243575
23	Joint cylindre	1	6107UH30	56	Roulement à billes	1	5306UH30
24	bague de piston	2	620065	57	Ressort rondelle	4	60018
25	Anneau de compression	4	620365	58	boulon B.8	4	6005825A
26	à l'huile anneau	2	620465	59	poulie	1	53021224A1
27	Piston	2	620265	60	poulie rondelle	1	5304UB10
28	Axe de piston	2	62071457	61	Ressort rondelle	1	60018L
29	Piston Tige Clip	4	6018147	62	boulon	1	6005840L
30	In-six boulon d'angle	4	6011835	63	bouchon d'huile	1	5316UH55
31	Ressort rondelle	4	60018	63A	rondelle	1	6014153
32	Bielle	2	6206UB40				
33	Rondelle défectrice	2	6213UH30				
34	Ressort rondelle	2	60014				
35	Vis	2	6021410				
36	Six Angle l'écrout	6	60068				
37	Ressort rondelle	6	60018				



PA-C6520/PA-C6508 Pompe

## Liste des pièces

REF.	LA DESCRIPTION	QTY	PART #
1	Assemblage du tuyau d'échappement	1	42.004.019
3	Pouille moteur	1	42.008.015
8	Pompe	1	42.008.007
13	Collecteur	1	42.004.011
19	Tuyau	1	42.008.000
28	Vis,	2	42.008.005
29	Roue de réservoir	2	42.008.005
30	Écrou à six angles	2	42.008.006
32	Courroie trapézoïdale	1	42.008.006
33	Boulon	8	42.008.016
34	Machine à laver	8	42.008.016
35	Siège de garde de sécurité L	1	42.008.016
36	Agent de sécurité	1	42.008.016
37	Vis M5X0,8x8	3	42.008.016
38	Agent de sécurité	1	42.008.016
39	Siège de garde de sécurité S	1	42.008.016
40	Boulon	1	42.008.016
41	Rondelle de printemps	1	42.008.016
14	Manomètre	2	85.410.160
15	Coupleur	2	42.000.046
16	Safety valve	1	42.006.046

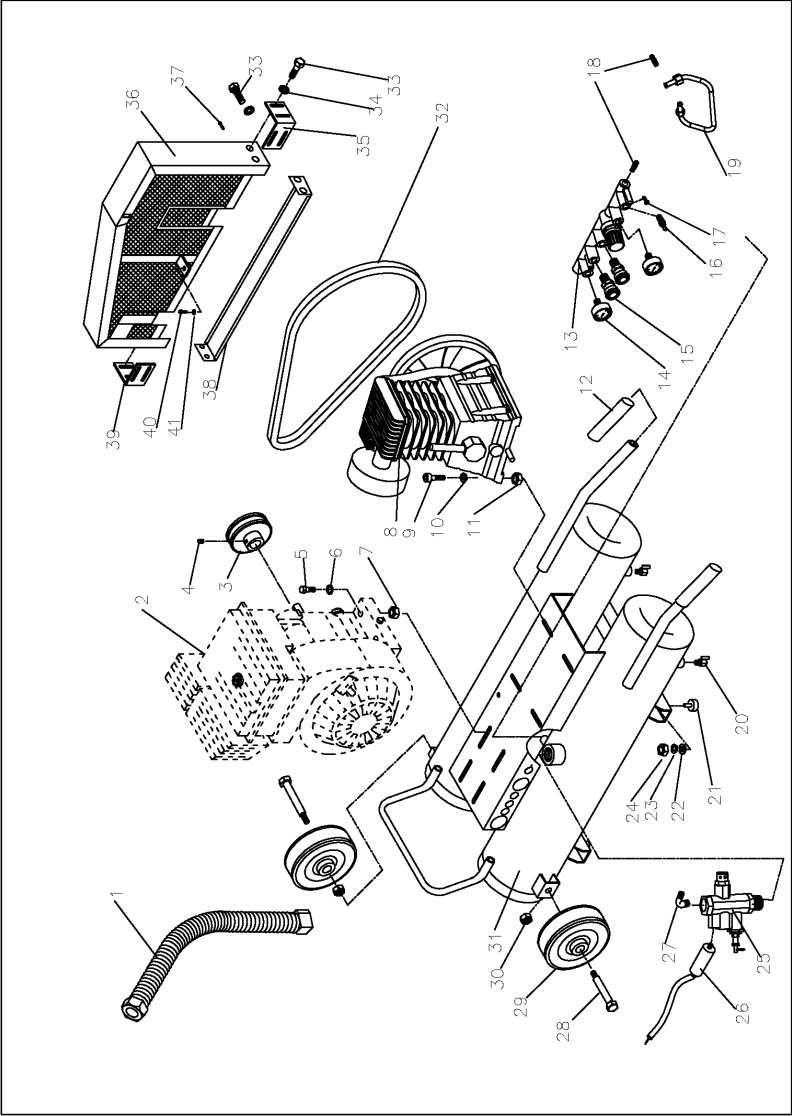


Schéma des pièces

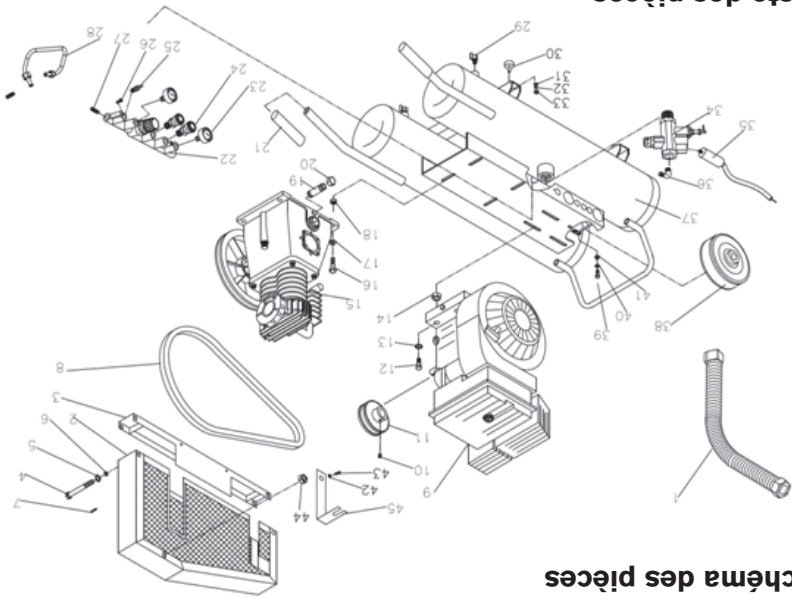
PA-C9008

PIÈCES

palton

**PA-C6508/PA-C6520 Schéma des pièces**

**Schéma des pièces**



**Liste des pièces**

No. Description	Qty	Pièce #
1 Échappement Assemblée tuyaux	1	500712250
2 Ecran protecteur	1	2009618A
3 Ecran protecteur	1	2009605
4 Boulon	2	6005890
5 Rondelle	2	60018
6 Rondelle	2	6028
7 M5x0,8x8 vis	3	603458
8 v-centure	1	400453
9 moteur	1	02G70
10 In-six boulon d'angle	1	6011520
11 Poilte du moteur	1	4002451905A1
12 Boulon	4	6005840
13 Rondelle	4	60018
14 Six angle écrou	4	60068
15 Pompe	1	01UH30-2
16 Boulon	4	6005830
17 Rondelle	4	60018
18 Six angle écrou	4	60068
19 Tuyauterie de retoulement	1	S318UH30
20 Six angle écrou	1	S318UH301
21 Poignée	2	200624120
22 Collecteur	1	300514275
23 Jauge de pression	2	30032014LC

No. Description	Qty	Pièce #
24 raccords rapides	2	80MS114M0scr
25 soupape de sécurité	1	301014N6A
26 Vis	2	6021515
27 fileté	2	20331438A
28 tuyaux	1	500738290
29 Bouchon de vidange	2	300214C
30 coussinet plantaire	4	2005621
31 8 Rondelle plate	4	60248
32 rondelle	4	60018
33 boulon	4	6005830
34 soupape pilote	1	30091212
35 pédale de gaz	1	304318-1
36 coude d'échappement	1	50051234C
37 réservoir d'air	1	20T028D411
38 Roue réservoir	1	200210C
39 Vis	2	6021535
40 rondelle	2	60015
41 Six angle écrou	2	60065
42 Rondelle	2	60026
43 vis	1	6005625
44 Six angle écrou	1	60066
45 lien duree	1	60263



Pendant la période de rodage, les écrous et boulons ont tendance à se desserrer. Après deux semaines, serrer tous les écrous et boulons, y compris les boulons à tête. Chaque mois, vérifier que tous les écrous et boulons sont serrés.

Problème	Cause	Solution
Ne démarre pas	Le moteur ne démarre pas	Vérifier le fonctionnement du moteur à essence
Baisse de pression	Fuite d'air dans la soupape de sécurité	Vérifier la soupape manuellement en la tirant vers le haut sur les anneaux. Si le problème persiste, la remplacer.
	Tube ou raccords lâches	Serrer les raccords
	Clapet antiretour défectueux	Remplacer le clapet
	Manocontacteur défectueux ou mauvais réglage	Vérifier le réglage et, si le problème persiste, remplacer le manocontacteur
	Courroie lâche	Ajuster la tension de la courroie
	Clapet antiretour défectueux	Remplacer le clapet
Soupape de sécurité qui fuit	Manocontacteur défectueux ou mauvais réglage	Vérifier le réglage et, si le problème persiste, remplacer le manocontacteur
Rejets d'huile dans l'air	Viscosité de l'huile incorrecte	détergente 20-30
	Trop d'huile dans le carter	Drainer le carter et le remplir au niveau approprié
	Filtre à air encrassé	Nettoyer ou remplacer le filtre
	Segments de piston usés	Remplacer les segments de piston
	Courroie trop lâche	L'ajuster à la tension adéquate
	Courroie trop serrée	Pouille du moteur désalignée
	Motor pulley out of alignment	Aligner la pouille du moteur en ajustant la position du moteur électrique
Usure excessive de la courroie		

## Charte de Dépannage

## Entretien

- Lorsque vous entreprenez un travail d'entretien**
- Le compresseur d'air doit être non fonctionnel
  - Videz les réservoirs
  - Permettez au compresseur de se refroidir

### De façon quotidienne

- Vérifiez le niveau d'huile.
- Videz le liquide accumulé dans les réservoirs.
- Vérifiez l'appareil pour toute forme de fuite d'huile.
- Vérifiez l'appareil pour des bruits inhabituels et/ou des vibrations.
- Assurez-vous que toutes les fermetures et les attaches sont sécurisées.

### De façon hebdomadaire

- Vérifiez le robinet de sécurité et d'échappement.
- Assurez-vous du bon fonctionnement et de la propreté du filtre à air.
- Nettoyez les trous d'évent sur la jauge graduée destinée aux vérifications d'huile.

### De façon mensuelle

- Vérifiez pour toutes fuites d'air.
- Appliquez un mélange d'eau et de savon aux contours des joints.
- Vérifiez s'il y a formation de bulles d'air à l'entour des joints lorsque le compresseur atteint la limite de pression et la pompe s'éteint.
- Régler la tension de la courroie et la remplacer si elle est usée ou endommagée.

### Six Mois ou 250 Heures D'Utilisation

- Changez l'huile du compresseur.
- N'utilisez que de l'huile sans détergent de type SAE 20 ou SAE 30.
- Remplacez l'huile plus fréquemment lorsque l'outil est utilisé dans des environnements poussiéreux.

### Changement D'Huile

1. Placez une cuvette de vidange d'huile sous le bouchon de vidange du carter.
2. Enlevez la jauge graduée afin de laisser l'air s'échapper du carter.
3. Enlevez le bouchon de vidange du carter.
4. Laissez drainer l'huile complètement
5. Nettoyez et remplacez le bouchon de vidange du carter.
6. Remplissez le carter avec de l'huile sans détergent de type SAE 20 ou SAE 30 jusqu'à ce que le niveau atteigne le point rouge sur le voyant liquide destiné à cet effet. Assurez-vous de ne pas trop remplir.

1. Placer le levier « ON/OFF » à la position « OFF » afin que l'appareil ne soit pas fonctionnel.
2. Tournez le régulateur de pression dans le sens des aiguilles d'une montre jusqu'à ce qu'il soit complètement fermé. Vérifiez l'indicateur de pression (manomètre) afin de vous assurer qu'il indique bel et bien 0 PSI.
3. Enlevez le tuyau d'air et les autres accessoires branchés au compresseur. Slowly open air tank drain valve to release remaining pressurized air, and tilt unit to fully drain accumulated liquid from air tanks. Moisture build-up in the tank is normal with air compressor, so a small amount of water may come out while draining the tank. Draining the tank is vital for the longevity and safety of your air compressor.
5. Fermez le robinet de vidange.
6. Fermez au compresseur de se refroidir.
7. Nettoyez le compresseur et rangez-le.

### Arrêt

1. Débranchez les outils et/ou les accessoires du tuyau d'air.
2. Prenez connaissance du robinet de vidange sur le dessus du réservoir du réservoir. L'accumulation d'humidité dans le réservoir est normale avec les compresseurs d'air, il est donc possible qu'un léger montant d'eau s'échappe du réservoir. Vider le réservoir est essentiel pour la longévité et la fiabilité de votre compresseur d'air.
4. Fermez le robinet de vidange et entreposez le compresseur dans un endroit frais et sec.

### Entreposage

1. Slowly open tank drain by turning clockwise. Allow any water in tank to drain out. Close fitting securely.
2. Before starting the compressor, check for broken components and accessories, and check for damage to the hose.
3. Make sure the power switch is turned "O"(OFF) position.
4. Attach desired tool to the end of the air hose.
5. Turn the switch on the "I"(ON) position.
6. Adjust regulator knob to desired pressure level once the pump has shut off and the compressor has stopped running.

### Démarrage

1. Débranchez les outils et/ou les accessoires du tuyau à air.
2. Ouvrez le robinet de vidange du réservoir afin de laisser l'air s'échapper et de prévenir la pression de s'accumuler dans le réservoir à air.
3. Vérifier que la courroie est correctement installée et que sa tension est correcte. Branchez le cordon d'alimentation électrique dans la prise appropriée (voir Directives de mise à la masse)
5. Mettez le compresseur en marche pendant un minimum de vingt minutes dans cette position hors charge afin de lubrifier les articulations et les pistons.
6. Éteignez le compresseur, drainez le liquide des réservoirs et fermez le robinet de vidange.
7. Le compresseur est maintenant prêt pour l'utilisation.

### Démarrage Initial

## Consignes d'utilisation

**Caractéristiques de l'appareil**

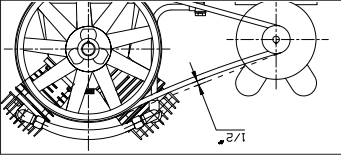
- 1. Interrupteur à pression Marche/Arrêt (On/Off) automatique**  
Le compresseur est équipé d'un interrupteur à pression Marche/Arrêt (On/Off) automatique.  
Le compresseur ne fonctionne que si l'interrupteur est en position "I"  
(Marche/On), donc en marche. Une fois que le réservoir aura atteint la pression préétablie (voir les Consignes d'utilisation), le moteur de la pompe s'éteindra automatiquement. Lorsque l'interrupteur est en position "I", donc en marche, le moteur de la pompe se rallumera automatiquement lorsque la pression aura chuté à son minimum préétabli. Ne jamais laisser le compresseur sans surveillance lorsque l'interrupteur est en position "I" (Marche/On), donc en marche.
- 2. Régulateur**  
Le régulateur vous permet de sélectionner une quantité de pression d'air qui sera débitée dans les outils et les accessoires utilisés. Veuillez vous référer aux spécifications de pression de vos outils afin d'établir les bons paramètres sur le compresseur d'air.
- 3. Indicateur de pression du réservoir**  
L'indicateur de pression du réservoir fournit une lecture de la pression d'air à l'intérieur du réservoir du compresseur.
- 4. Valve de sécurité**  
Ce compresseur est équipé d'une soupape de sûreté qui s'enclenchera automatiquement si la pression du réservoir dépasse le maximum pré-établi. **NE JAMAIS** tenter de modifier ou d'enlever la soupape de sûreté.
- 5. Accessoire de drainage du réservoir**  
De l'eau est produite lorsque de l'air est comprimé. Il est donc primordial de drainer l'eau du réservoir sur ce compresseur de façon fréquente. Si l'appareil n'est utilisé qu'à l'occasion, le réservoir devrait être drainé après et avant chaque utilisation. Pour vider le réservoir, veuillez ouvrir l'embouttement de drainage lentement en tournant dans le sens des aiguilles d'une montre. Une fois l'eau drainée, fermez l'embouttement et sécurisez-le.

**Remarque:** le réservoir ne se pressurisera pas si l'accessoire de drainage est ouvert.

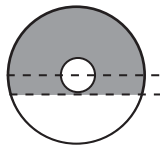
**6. Écran protecteur**

Le mécanisme d'entraînement de courroie est protégé par un carter métallique. Ne pas essayer de modifier ou de retirer ce dispositif de sécurité.

7. Attachez le tuyau à air ou tout autre accessoire désiré (ceux-ci n'étant pas fournis). Utilisez le ruban isolant de Téflon sur les connexions afin de vous assurer que les joints sont étanches. Ne pas trop serrer les emmanchements.
6. Attachez le filtre à air fourni à l'orifice d'entrée d'air sur la tête de la pompe.
5. Attachez le coupleur d'air à la soupape de régulation du compresseur. Utilisez le ruban isolant de Téflon sur les connexions afin de vous assurer que les joints sont étanches. Ne pas trop serrer les emmanchements.
4. Fermez le robinet de vidange situé sur le bas du réservoir d'air en tournant la valve dans le sens des aiguilles d'une montre jusqu'à ce que le robinet soit fermé.
3. Ajuster la tension de la courroie pour s'assurer qu'il y ait un jeu maximum de 12 mm (1/2 po) lorsqu'une pression est exercée en sens de rotation du volant doit suivre la flèche indiquée sur le projecteur de courroie.



- Remarque :** Une courroie trop serrée entraîne une surcharge du moteur qui surchauffera. Une courroie trop lâche peut glisser et un fonctionnement instable et les vibrations peuvent se produire. Attention – Le sens de rotation du volant doit suivre la flèche indiquée sur le projecteur de courroie.
3. Après avoir déballé la cartouche, veuillez enlever toutes les pièces et prendre connaissance de la photo qui figure sur la cartouche. Placez le compresseur d'air sur une surface à niveau plate.
2. Versez l'huile fournie dans le carter jusqu'à ce que le niveau de l'huile atteigne le point rouge sur la vitre destinée à cet effet. Assurez-vous de ne pas trop en verser.
3. Ajuster la tension de la courroie pour s'assurer qu'il y ait un jeu maximum de 12 mm (1/2 po) lorsqu'une pression est exercée en son centre. **Remarque :** Une courroie trop serrée entraîne une surcharge du moteur qui surchauffera. Une courroie trop lâche peut glisser et un fonctionnement instable et les vibrations peuvent se produire. Attention – Le sens de rotation du volant doit suivre la flèche indiquée sur le projecteur de courroie.

	<p><b>Niveau d'huile OK</b></p> <p><b>Ajoutez de l'huile immédiatement</b></p>	<p>Vérifiez le niveau d'huile quotidiennement.</p>
<p><b>AVERTISSEMENT</b></p> <p>Lisez toutes les consignes de sécurité avant d'utiliser le compresseur.</p>		<p>huile</p> <p>Le compresseur vous est envoyé sans huile dans le carter. Veuillez ajouter l'huile selon les directives ci-dessous.</p>

## Assemblage

Lisez toutes les consignes de sécurité avant d'utiliser le compresseur.

De 51 à 100 pieds	10
De 26 à 50 pieds	12
Jusqu'à 25 pieds	14
<b>Longueur du cordon prolongateur</b>	<b>Grosseur du fil électrique (A.M.C.)</b>

Le compresseur doit être utilisé sur une surface stable et à niveau. Le compresseur à air doit être utilisé dans un endroit propre et bien aéré. Le compresseur nécessite un apport et des sorties d'air libres de toute obstruction et doit être localisé à au moins 18 pouces de tout mur ou autres obstructions.

### INSTALLATION ET EMPLACEMENT

1. Inspecter le tuyau avant l'utilisation. Ne pas dépasser la pression de service indiquée sur le tuyau. Ne pas plier, faire un noeud ou érafler le tuyau.
2. Ne pas enrrouler le tuyau autour du corps.

### Précautions pour les Tuyaux

Ne pas pulvériser les matériaux inflammables dans un endroit de flamme ouverte ni près d'une source d'ignition y compris le compresseur.




### AVERTISSEMENT

13. L'accumulation d'humidité cause la rouille qui peut affaiblir le réservoir. Purger le réservoir quotidiennement et l'inspecter périodiquement pour de conditions dangereuses comme la rouille et la corrosion.
14. L'air mouvant peut agiter la poussière et le débris, ce qui peut être dangereux. Lâcher l'air lentement en purgeant l'humidité ou pendant la dépressurisation du système du compresseur.
15. Ne pas fumer pendant la pulvérisation de la peinture, d'insecticides ou autres matières inflammables.
16. Utiliser un masque/respirateur pendant la pulvérisation et pulvériser dans un endroit bien ventilé pour éviter le risque de blessures et d'incendie.
17. Ne pas diriger la peinture ou autre matériel pulvérisé vers le compresseur. Situer le compresseur aussi loin que possible de l'endroit de pulvérisation pour réduire l'accumulation de surpulvérisation sur le compresseur.
18. Suivre les instructions du fabricant de produits chimiques pendant la pulvérisation ou le nettoyage avec des solvants ou produits chimiques toxiques.

### Précautions du Pulvérisations




- Ne pas utiliser un appareil qui a été endommagé pendant le transport, la manipulation ou l'utilisation. Le dommage peut mener à une explosion et peut causer des blessures ou dommages matériels. Puisque le compresseur d'air et les autres composants (filtres, lubrificateurs, tuyaux, etc.) utilisés forment un système de pompage haute pression, il faut respecter les précautions suivantes en tout temps :
1. Lire attentivement tous les manuels inclus avec ce produit. Se familiariser avec ce produit, ses commandes et son utilisation correcte. Suivre tous les codes de sécurité locaux ainsi que les codes nationaux. Seules les personnes bien familiarisées avec ces règles d'utilisation doivent être autorisées à se servir du compresseur.
  4. Garder les visiteurs à distance et NE JAMAIS laisser les enfants dans l'endroit de travail.
  5. Utiliser des lunettes de sécurité et une protection auditive pendant l'utilisation de la pompe ou de l'appareil.
  6. Ne pas se tenir debout ni utiliser la pompe ou l'appareil comme une prise.
  7. Inspecter le système d'air comprimé et pièces détachées électriques pour toute indication de dommage, détérioration, faiblesse ou fuites avant chaque utilisation. Réparer ou remplacer toutes pièces défectueuses avant l'utilisation.
  8. Inspecter le niveau de serrage de toutes les attaches régulièrement.
9. Garder les doigts loin du compresseur ; les pièces mobiles et chaudes peuvent causer des blessures et/ou des brûlures.
10. Si l'équipement vibre anormalement, ARRÊTER le moteur et l'inspecter immédiatement. La vibration est généralement une indication de problème.
11. Pour réduire le risque d'incendie, garder l'extérieur du moteur libre d'huile, de solvant ou de graisse excessive. Ne jamais enlever ni essayer d'ajuster la soupape de sûreté. Garder la soupape de sûreté libre de peinture et d'autres accumulations.
12. Ne jamais essayer de réparer ou de modifier un réservoir ! Le soudage, perçage ou autres modifications peuvent affaiblir le réservoir et peuvent résulter en dommage de rupture ou d'explosion. Toujours remplacer un réservoir usé, fendu ou endommagé. Purger le réservoir quotidiennement.

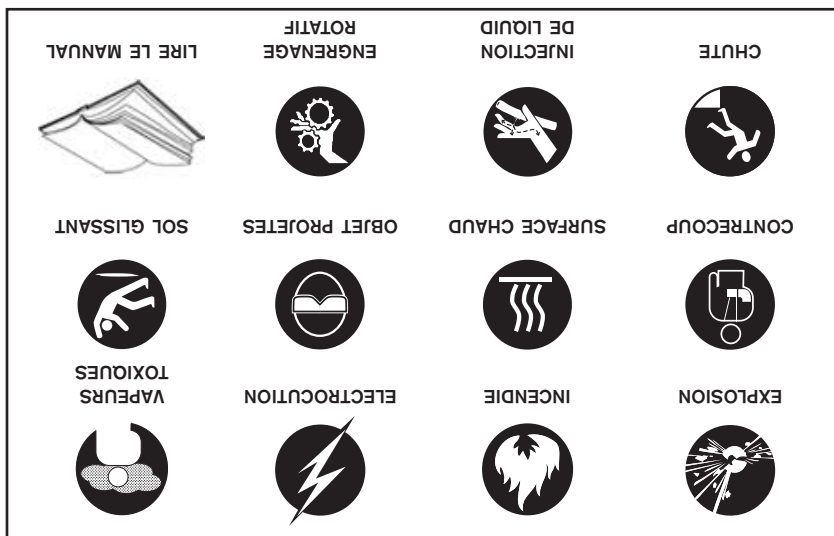
	<p>Les pièces du compresseur peuvent être chaudes, même si l'appareil est hors circuit.</p>
<p><b>AVERTISSEMENT</b></p>	

- Généralités sur la Sécurité**

<p><b>AVERTISSEMENT</b> </p>	<p><b>AVERTISSEMENT POUR OUTILS À AIR COM- PRIMÉ ET ACCESSOIRES:</b> N'excédez jamais la limite maximale de pression des outils à air comprimé, des fusils vaporisateurs ou des outils pneumatiques. La pression excessive peut causer des explosions et de graves blessures. Veuillez toujours suivre les con-signes recommandées par les manufacturiers à l'égard des paramètres de pression pour tous les outils à air comprimé.</p>	
<p><b>AVERTISSEMENT</b> </p>	<p>Ne dirigez jamais un jet d'air comprimé à une per- sonne ou un animal. Le jet puissant d'air comprimé peut endommager la peau et projeter de la poussière et d'autres petits objets à une haute vitesse, pouvant causer de graves blessures. Veuillez toujours porter des lunettes de sécurité qui rencontrent les spécifications du ANSI Z28.1. N'utilisez rien d'autre que les souf- flettes approuvées par la Loi de sécurité et de salubrité au travail.</p>	
<p><b>AVERTISSEMENT</b> </p>	<p>Gardez vos mains et vos doigts loin de toute partie de métal d'un outil fonctionnant à l'air comprimé. Des compresseurs à air génèrent une chaleur significative lorsqu'en opération et peuvent donc causer de graves brûlures. Le compresseur demeurera chaud pour une période de temps suite à l'opération et ne devrait donc pas être touché ou bougé jusqu'à ce qu'il refroidisse.</p>	



<p><b>AVERTISSEMENT</b></p>		<p><b>AVERTISSEMENT POUR LE RÉSERVOIR D'AIR:</b> Drainez le liquide du réservoir d'air de façon quotidienne, ou après chaque usage, en utilisant le robinet de vidange situé sur le dessous du réservoir d'air du bas. Si le réservoir n'est pas proprement vidé, une accumulation de vapeurs d'eau pourrait causer de la rouille, ce qui affaiblit le réservoir et pourrait engendrer une explosion violente de celui-ci. Vérifiez périodiquement les réservoirs pour des conditions dangereuses telle la corrosion.</p>	<p>Ne jamais tenter de réparer ou de modifier le réservoir ou ses attaches-ments. Le soudage, le forage ou toute autre modification peut affaiblir le réservoir, ce qui pourrait engendrer des dommages de rupture ou d'explosion. Ne jamais enlever ou tenter d'ajuster le manostat, la soupape de sûreté ou autres pressions d'utilisation réglées en usine.</p>
<p><b>AVERTISSEMENT</b></p>		<p><b>AVERTISSEMENT DE FEU:</b> Évitez les environnements dangereux. N'utilisez pas le compresseur près de l'essence ou autre matériau combustibles. Gardez votre lieu de travail bien illuminé. La formation d'étincelles par le moteur ou le broyage de métaux pourrait causer un feu. Ne vaporisez pas de matériaux combustibles en proximité d'une flamme nue ou une source d'inflammation, ce qui inclut le compresseur d'air lui-même. Ne dirigez pas de peinture ou autre forme de matériaux vaporisés en direction du compresseur.</p>	<p>Veillez lire et suivre toutes directives d'utilisation du matériel que vous vaporisez. Assurez-vous de porter un appareil respiratoire conçu pour votre utilisation particulière.</p>
<p><b>AVERTISSEMENT</b></p>		<p><b>AVERTISSEMENT D'AIR RESPIRABLE:</b> Ce compresseur d'air n'est pas conçu ou destiné à produire de l'air respirable. L'air produit par cet engin pourrait possiblement contenir du monoxyde de carbone ou autres vapeurs toxiques.</p>	<p>Ne respirez pas l'air produit par le compresseur ou d'un appareil respiratoire qui y est branché.</p>



### Symboles de risque et significations

**Remarque** indique une situation qui pourrait entraîner des dommages matériels. Suivez ces consignes afin d'éviter ou de réduire les risques de blessures ou de mortalité.

**MISE EN GARDE** indique un risque qui, s'il n'est pas évité, pourrait entraîner des blessures mineures.

**AVERTISSEMENT** indique un risque qui, s'il n'est pas évité, pourrait entraîner de graves blessures ou la mort.

**DANGER** indique un risque qui, s'il n'est pas évité, entraînera de graves blessures ou la mort.

Ce symbole (▲) est utilisé avec un mot d'avertissement (DANGER, ATTENTION, AVERTISSEMENT), un pictogramme ou un message d'avertissement pour vous informer du risque.

Ceci est le symbole d'alerte de sécurité. Il est utilisé afin de vous avertir d'un risque potentiel de blessure. Suivez toujours les indications suivant ce symbole afin d'éviter des blessures ou même la mort.



### RÈGLES DE SÉCURITÉ

Conservez ces consignes

## Consignes de Sécurité

- Veuillez lire le manuel de l'utilisateur attentivement et en entier avant d'opérer ce compresseur.
- Gardez le manuel avec vos dossiers importants afin de conserver les consignes de sécurité, les procédures opérationnelles et la garantie.
- Après avoir déballe votre nouveau compresseur, veuillez SVP l'examiner attentivement afin de détecter tout dommage ayant possiblement eu lieu lors du transit.
- Ne pas opérer le compresseur d'air si ce dernier a été endommagé pendant l'envoi, la manipulation ou lors d'un mauvais usage.
- Ces dommages pourraient entraîner une explosion, ce qui pourrait causer de graves blessures ou des dommages à votre propriété.
- Toutes pièces endommagées doivent être réparées ou remplacées selon le besoin avant l'opération de ce compresseur d'air.
- Assurez-vous que tous les écrous, les boulons et les ferrures d'attache sont fixés solidement.
- Pour toutes questions, veuillez communiquer avec notre département du service à la clientèle aux numéros apparaissant sur la couverture arrière de ce manuel d'instructions.

## **IDENTIFICATION DU PRODUIT**



### **Identification du produit**

#### **Compresseur**

Si vous avez besoin de contacter un Détaillant Autorisé ou le Service à la clientèle pour de l'information sur l'entretien, veuillez toujours fournir le modèle de l'appareil et les numéros d'identification.

Vous pourrez trouver ces numéros sur l'appareil aux endroits suivants :

#### **Date d'achat:**

#### **Nom du détaillant:**

#### **Numéro de téléphone du détaillant:**

#### **Numéro d'identification de produit**

#### **Numéro de modèle:**

#### **Numéro de série:**

Lisez le guide de l'utilisateur entièrement avant d'utiliser l'appareil pour la première fois.



**Utilisation du guide de l'utilisateur**  
 Merci d'avoir choisi notre compresseur! Ce guide de l'utilisateur contient de l'information concernant l'utilisation et l'entretien du compresseur. Assurez-vous de le lire attentivement avant de l'utiliser. Les consignes contenues dans ce guide peuvent aider l'utilisateur à obtenir de meilleurs résultats d'utilisation tout en assurant une utilisation sécuritaire. Tous les informations et diagrammes contenus dans ce guide correspondent aux modèles les plus récents au moment de la publication. Nous mettons beaucoup d'efforts afin que ces informations soient le plus exactes possible. Nous nous gardons le droit de modifier ce guide de l'utilisateur, en tout ou en partie, sans avis préalable ni obligation.

Assurez-vous de toujours garder ce guide avec l'appareil, même s'il change de propriétaire.

**INTRODUCTION**

**palton**

**Consignes d'utilisation**  
14 Démarrage initial  
14 Démarrage  
14 Entreposage  
14 Arrêt

**Entretien**  
15 Lorsque vous faites l'entretien ou des réparations  
15 Quotidien  
15 Hebdomadaire  
15 Mensuel  
15 Six mois ou 250 heures d'utilisation  
15 Changement d'huile

**Dépannage**  
16 Tableau de dépannage

**Pièces**  
17 PA-C6520 / PA-C6508 Schéma et liste des pièces du moteur  
18 Schéma des pièces du PA-C9008  
20 Schéma de pompe PA-C6520 / PA-C6508  
22 Schéma de la pompe PA-C9008

**Garantie**  
22 Déclaration de garantie

<b>Introduction</b>	4
Utilisation du guide de l'utilisateur	4
<b>Spécifications</b>	4
Spécifications	4
<b>Identification du produit</b>	5
Enregistrement du numéro d'identification du produit.	5
<b>Sécurité</b>	6
Consignes de sécurité	6
Règles de sécurité	7
Signification des symboles de sécurité	7
Informations générales concernant la sécurité	10
<b>Installation et mise à la terre</b>	11
Précautions d'arrosage	11
Manipulation des boyaux	11
Installation en emplacement	11
Cordons prolongateurs	11
<b>Consignes d'assemblage</b>	12
Assemblage	12
<b>Caractéristiques du produit</b>	13
Marche/Arrêt (ON/OFF) automatique	13
Régulateur	13
Jauge de pression du réservoir	13
Valve de sécurité	13
Raccord de drain du réservoir	13
Ecran protecteur	13

GUIDE DE L'UTILISATEUR

# **COMPRESSEUR À GAZ SUR ROUES**

PA-C9008

PA-C6508

PA-C6520

**patron**<sup>®</sup>